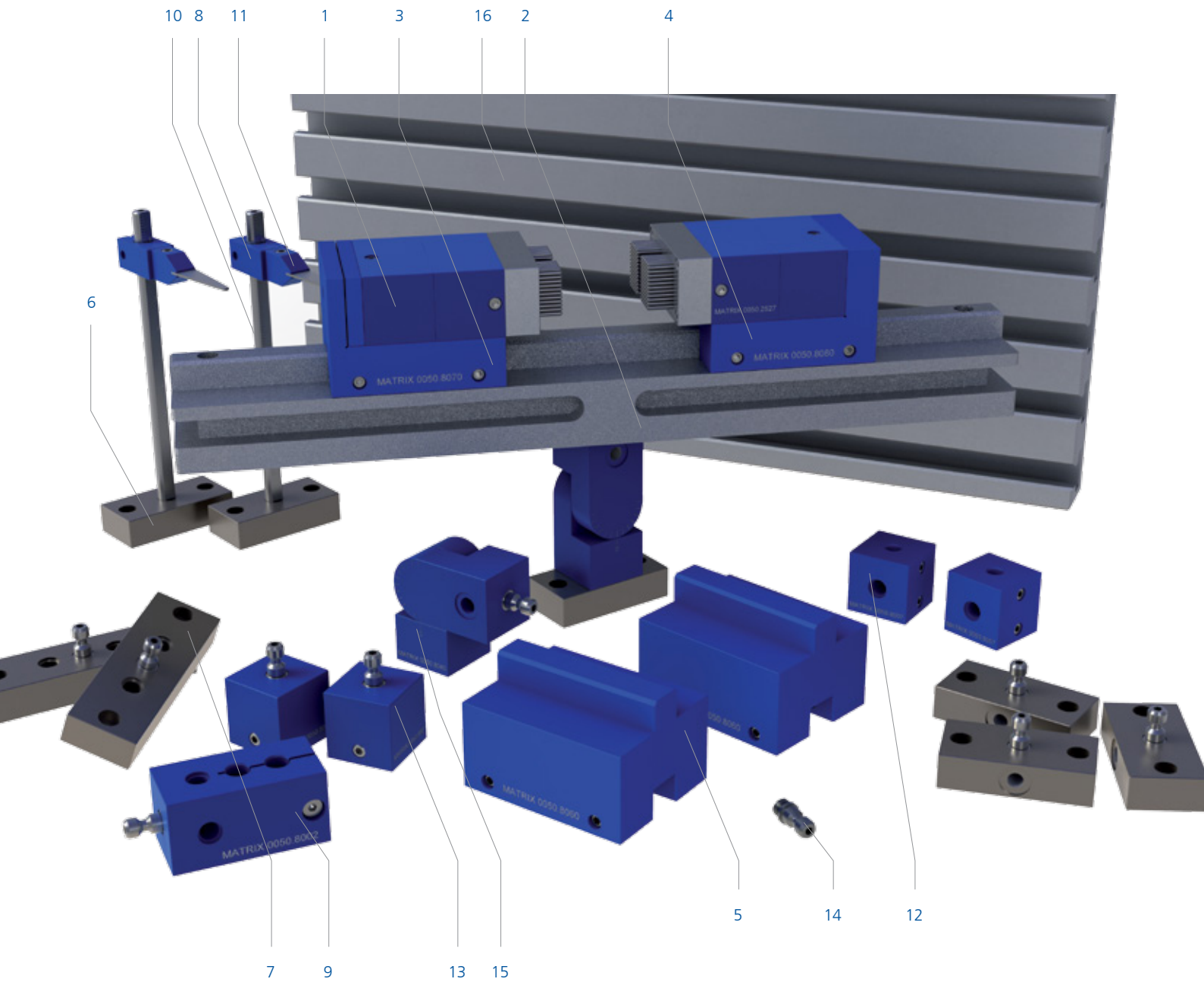


X-GRIP MINI M

ORDER NUMBER: 0050.2520



X-GRIP MINI M

The X-GRIP MINI M is a form-closure and fast holding system with two pin-jaws for filigree and lightweight parts with unsurpassed resolution (1 mm pin diameter).



17